

三机一体(节能型) 3 in 1 Compact Dehumidifying Dryers

TDA



● 特点 Features

- 集除湿、干燥、二段送风三种功能于一体，并可选择三级送料功能。
- 除湿除湿-0露点的除湿空气大幅度提高产品质量。
- 耗电低、效率高（每小时耗电0.6度，每小时耗电2.5度）
- 双层保温干燥料桶采用下吹式风管设计，防止热能流失，提高干燥效率。
- 全不锈钢上、下送料系统，避免原料污染。
- 封闭式循环除湿气及送料系统，可避免干燥后的原料因接触外界空气而再度回潮。
- 采用无触点固态继电器控制加热。（选配）
- 故障报警提醒，时间间隔短。
- 光源报警提示三机一体专用PLC生成雾化车间，多重报警提示。
- 采用国外高级进口零部件，耐用性及延长使用寿命，节省维修成本。
- 外型结构紧凑，美观大方。
- 结构向紧凑型，机身小巧小，节省空间，移动方便，可任意更换机台使用。
- 设计人性化方便保养维修。

- To integrate the function of dehumidifying, drying and two-stage conveying into single unit. Three-stage conveying function is optional.
- To improve the quality of air-dried products greatly thanks to the dehumidification of the drying air.
- Low power consumption, high efficiency (lower consumption for energy saving type with reading 0.6 kWh while conventional type with reading 2.5 kWh)
- Double-walled insulated hopper dryers features down-blowing design to avoid heat dispersion for improving drying efficiency.
- Feeding system is made of stainless steel to eliminate material contamination.
- Closed-loop circulation for dehumidified air & feeding system to avoid heat dispersion for improving drying efficiency during material conveying.
- To adapt electromagnetic contactless relay control heating. (option)
- Intelligent microprocessor control for fault alarm & pre-heating setting.
- All-steel powder-removing models are suitable for clean workshop.
- Multiple safety protection device.
- Using imported spare parts which enhance function and extend service life for saving maintenance cost.
- Powder coated frame of machine with exquisite appearance.
- Compact construction; small footprint to save space & move easily.
- Optimum design for easy maintenance.

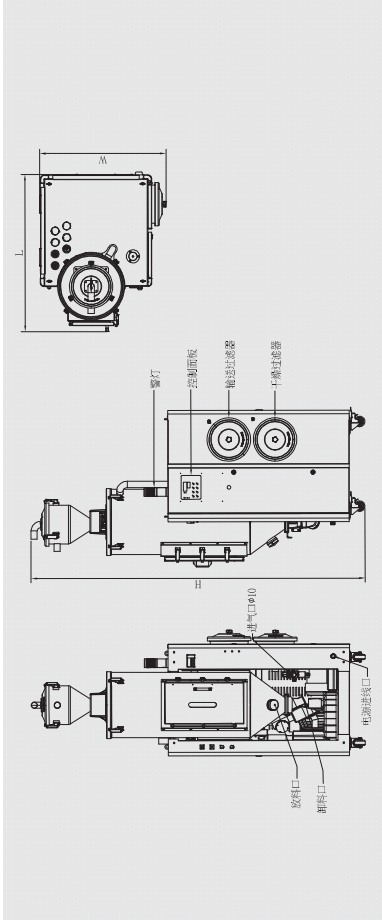
节能型三机一体的设计系统更为简化，不仅减少系统的耗电量，功效高，超节能省电高达60%，且体积小，不占空间，特别适用于无尘车间，不需接冷却水，故移动方便。构造简单，机器信赖度高。全机采用微电脑控制，操作简单，性能稳定，能耗更低，干燥风量30-300 m³/hr。此外也针对光学级产品之生产制造而设计光学级节能型三机一体除湿干燥机，以满足客户不同之需。

The energy saving type simplifies the design of system which reduces power consumption, high efficiency, ultra energy saving up to 60%. The design of machine appearance is compact to save space, ideal to high demands on limited space of clean workshop. It can move everywhere conveniently thanks to no requirement of cooling water for machines. The mechanical construction is simple to enhance machine reliable. The series design particularly for optic products. It adapts PLC controller with the superior features on easy operation, stable function, low power consumption. The drying air flow ranges from 30-300 m³/hr. In addition, we design optic class 3 in 1 compact heatless dehumidifying dryers (energy saving type) for optic products to satisfy with customers' various demands.

● 选择加装配件 Options

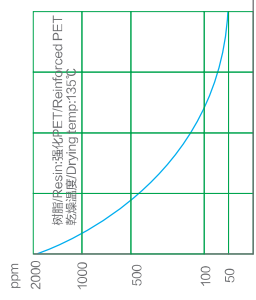
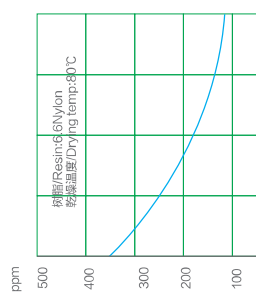
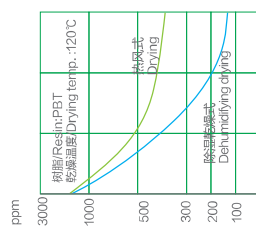


旋风分离器
Cyclone Separator



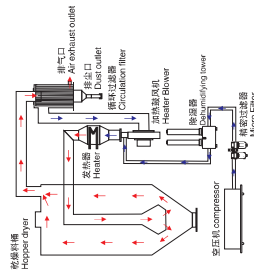
机型	TDA-25A	TDA-50A	TDA-75A	TDA-100A	TDA-150A	TDA-200A	TDA-300A
L (mm)	925	998	1158	1158	1445	1445	1481
W (mm)	797	797	832	832	959	959	951
H (mm)	1805	2018	1992	2253	2345	2727	2800

● 工程塑料干燥曲线图 Engineering Plastic Drying Curve Chart



● 干燥流程

- ◆ 在变缸除湿塔内急速降压的同时,就能获得-40的露点除湿气。
- ◆ 除水除湿筛检程式将车间送来的压缩空气水份及油份过滤清洁,再送到除湿塔。
- ◆ 把-40露点除湿气(单向输送)不停的送到密封式除湿料桶,将料桶内所有原料的湿气吸干。
- ◆ 该系统是单向送气,无须使用再生除湿气。



● Drying Procedure

- ◆ Low dew point-40 of dehumidified air will be obtained simultaneously by reducing pressure rapidly in the dehumidifying tower.
- ◆ Excessive oil and water content from compressed air supply of workshop will be filtered before sending to dehumidifying tower.
- ◆ -40 dew point of dehumidified air will be continuously delivered to close hopper dryer until moisture expelled to dried.
- ◆ Air was delivered in one way direction under the system which no.

● 规格表 Specification Sheet

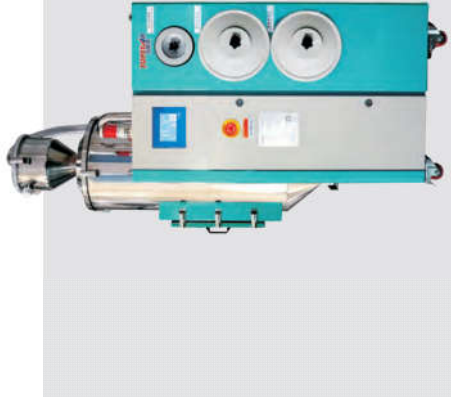
产品型号/Model	TDA-25A	TDA-50A	TDA-75A	TDA-100A	TDA-150A	TDA-200A	TDA-300A
料槽容量 Hopper Capacity	25	50	75	100	150	200	300
干燥加热功率 Drying Heater Capacity	2	2	4	4	6	9	15
干燥风机功率 Drying Blower Capacity	0.25	0.37	0.75	0.75	1.5	2.2	2.2
输送风机功率 Conveying Blower Capacity	1.1	1.1	1.1	1.1	1.1	2.2	1.5
处理风量 Air Capacity	30	50	80	80	110	150	305
系统电压 Power Supply	380V/AC 3P/PE 50Hz						
控制电压 Control Voltage	220V/AC 1P/PE 50Hz						
总功率 Total Power	3.35	3.5	6.8	6.8	9.6	10.4	19
电源线路规格 Wires Specifications	4×2.5						
电源线长度 Wires Length	M						
露点 Dew point	℃						
料管口径 Material Pipe Size	inch						
料斗(或接收机) Hopper Receiver	SR3E-40						
机器重量 Weight	160	182	205	217	316	332	400
选配 Option	1.露点显示 Dew-point Indicators 2.旋风分离器 Cyclone Separator						

注：产品规格若有变更，恕不另行通知。We reserve right to change specifications without prior notice.

● 干燥能力 Drying Capacities

原料 Material	干燥温度 Drying Temperature (°C)	干燥时间 Drying Time (hr)	干燥能力 Drying Capacities (kg/hr)							
			TDA-25A	TDA-50A	TDA-75A	TDA-100A	TDA-150A	TDA-200A	TDA-300A	
ABS	80	3-4	5	10	18	25	38	50	76	
POM	100	2	13	25	30	50	75	100	150	
PMMA	80	2-3	12.5	17	22.5	35	46.5	58.5	100	
LONOMER	90	4-5	5	10.5	12.5	20	25	36.5	60	
Pa6	75	4-6	4.5	9	10	17	25	34	50	
Pa6.6	75	4-6	4.5	9	10	17	25	34	50	
Pa6.10	75	4-6	4.5	9	11	17	25	34	50	
PC	120	3-4	7.5	13	16.5	25	38	50	76	
PU	90	2-3	12.5	17	22.5	35	46.5	58.5	100	
PBT	130	3-4	8	13	17	24	36	48	72	
PE	90	1	25	50	70	100	150	200	300	
PET	160	4-6	7	9	12	17	25	34	50	
PETG	70	3-4	7.5	13	16.5	25	38	50	72	
PPO	110	2	15	25	37.5	50	75	100	150	
PP	90	1	25	50	70	100	150	200	300	
PD(GP)	80	1	25	50	70	100	150	200	300	
PSU	120	3-4	7	13	17	27	36	50	72	
PVC	70	1	25	50	70	100	150	200	300	
SAN(AS)	80	2	15	25	37.5	50	75	100	150	

注：产品规格若有变更，恕不另行通知。We reserve right to change specifications without prior notice.



**三机一体(蜂巢)
转轮型三机一体**
3 in 1 Compact
Dehumidifying Dryers

TDB

乃是集除湿，干燥，送料三种功能于一机。三机一体的设计不占空间，体积小特别适用于自动化程度高，空间紧凑的场所。

全机采用微电脑控制，控制操作简单，性能稳定，能耗更低，干燥风量 50-300 m³/hr。此外还针对光学级产品之生产制造而设计光学级三机一体除湿干燥机，以满足客户不同的需求。

This series integrate the function of dehumidifying, drying, and two-stage conveying into one unit with compact design to save space, ideal to high demands of automation system and limited working space. It adapts PLC controller with the superior features on easy operation, stable function, and low power consumption. The drying air flow ranges from 50~700 m³/hr. In addition, we design optic class 3 in 1 compact dehumidifying dryers for optic products to satisfy with customers' various demands.

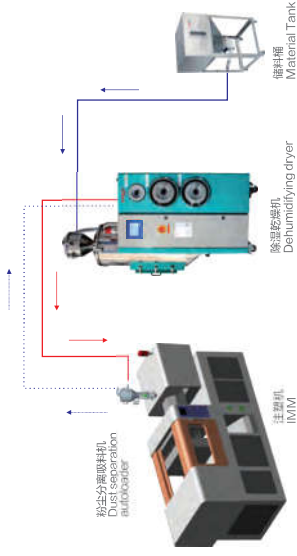
原料除湿装置获得实用新型专利
Practical New Patent for Dust Filter Device
专利号/Patent No.: ZL 201120301776.9

该专利亦可用于管理三机一体，中央送料系统，自动送料系统
The Patent can be applied to 3 in 1 Heatless Dehumidifying Dryers (Energy Saving type), Centralized Feeding System, Feeding & Conveying System

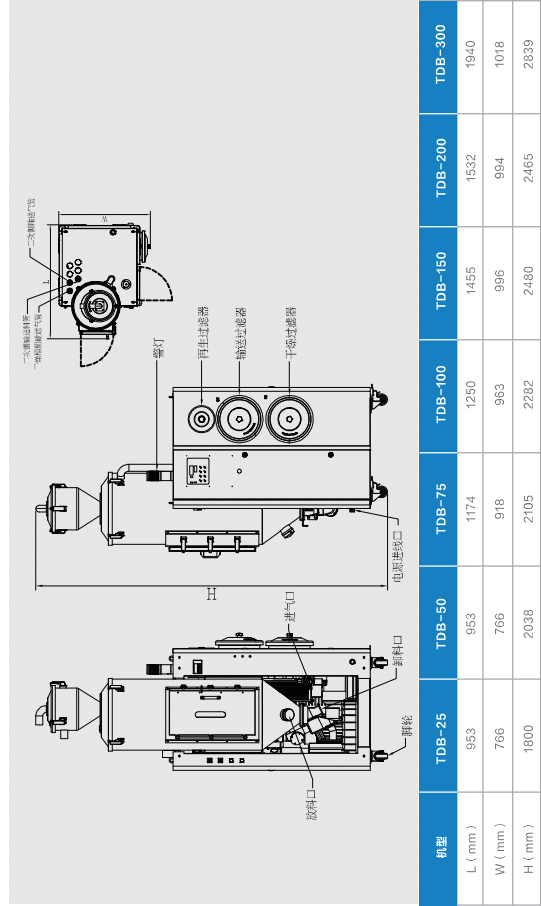
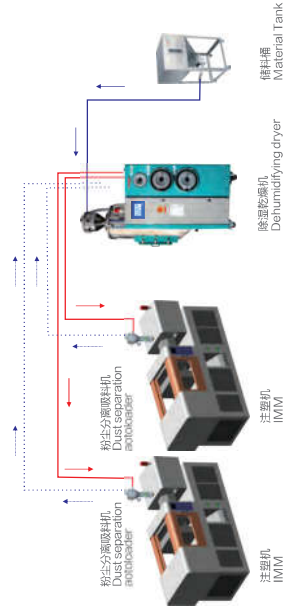
● 特点 Features

- 标准型三机一体除湿机都配备蜂巢转轮，可得到稳定性好的低露点干燥空气。
- 集除湿、干燥、二段送料三种功能于一体，并可选择三段送料功能。
- 双层保温干燥料桶采用下吹式风管设计，防止热能流失，提高干燥效率。
- 除湿系统采用双冷却器结构，确保更低回风温度及露点。
- 送料系统配备料阀，确保料管中无残余原料。
- 多重保护装置。
- 光学级机型所有原料接触面采用不锈钢镜面抛光处理，并且搭配密封回路的送料系统，可避免干燥后的原料接触外界空气而再度回潮。
- 采用PID温度控制系统，可精准控制再生温度，确保露点的稳定性。
- 内部设有回风过滤器，确保蜂巢转轮不受原料粉尘污染。
- 采用国外高级进口组件，提高性能及延长使用寿命，节省维修成本。
- 外型粉体烤漆，美观大方。
- 3 in 1 compact dehumidifying dryers are equipped with honeycomb rotor which can acquire stable low dew-point drying air.
- To integrate the function of dehumidifying, drying and two-stage conveying into single unit. Three-stage conveying function is optional.
- Double-wall insulated hopper dryers features down-blowing pipe design to avoid heat dispersion for improving drying efficiency.
- The dehumidifying system employ double coolers for ensuring lower return air temperature and dew-point value.
- Feeding system is equipped with shut-off valve to ensure no remaining material in hopper tube.
- Multiple safety protection device.
- Optimal-class models use mirror polished treatment on the material contact surface to avoid material contamination and collocate feeding system with closed-loop in order to avoid the possibility of moisture regain for absorb outside air during material conveying.
- To adopt PID temperature controller to accurately control regenerative temperature to ensure dew-point stable.
- Return air filter is installed inside to ensure no powder & dust contamination to the honeycomb rotor.
- Using imported superb parts which enhance function and extend service life for saving maintenance cost.
- Powder coated frame of machine with exquisite appearance.

● 一对一除湿干燥送料系统 1 to 1 Dehumidifying drying and feeding System



● 一对二除湿干燥送料系统 1 to 2 Dehumidifying drying and feeding System



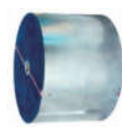
● 光学级三机一体除湿干燥主机零件 Main Components Optical Type of 3 in 1 Dehumidifying Dryers



控制器 Control panel

提供数位设定及显示干燥温度、供料时间、系统运作状况及错误讯息。并设有密码、不同参数设定，干燥温度检测等。

Provide digital setting and display drying temperature, material feeding time, system operation status and error information. And is equipped with password, different parameters setting, the drying temperature detection, etc.



蜂巢转轮 Honeycomb Rotor

蜂巢式陶瓷除湿转轮是以陶瓷纤维为基材形成蜂巢转轮，然后利用特殊化学合成两段长晶方法，把吸湿剂硅胶和分子筛均匀长晶在陶瓷纤维转轮上，使其具有极强吸湿能力。使用此转轮，除湿干燥机可达至-40℃低露点，并可使效能大幅度提升。

The "pollution-free" honeycomb rotor is coated with molecular sieves and silica gel that are strongly bonded to ceramic fibers inside the rotor by special chemical crystallization. With the rotor, the dryer can provide low dew-point (-40degree), and performs all of these processes more quickly and more efficiently than any other dryer available.



HEPA过滤器 HEPA Filter

使用高效能之HEPA过滤器 (0.3um/99.99%) 以防止任何污染。

The unit uses a high-performance HEPA filter (0.3um/99.99%) as drying filter to prevent any contamination.



光学级管路 Piping

光学级管路，可防止输送原料时遭受污染。

All piping work is for sanitary applications to prevent contamination when conveying the dry material.

● 规格表 Specification Sheet

产品型号Model	TDB-25	TDB-50	TDB-75	TDB-100	TDB-150	TDB-200	TDB-300
料斗容量 Hopper Capacity	25	50	75	100	150	200	300
除湿风量 Dehumidifying Air	CMH	50	50	50	80	120	200
干燥电机功率 Drying Heater Capacity	KW	2	2	4	6	9	15
干燥风机功率 Drying Blower Capacity	KW	0.25	0.37	0.37	0.75	1.1	2.2
再生电机功率 Regen. Heate Capacity	KW	2	2	2	3	4	6
再生风机功率 Regen Motor Capacity	KW	0.18	0.18	0.18	0.25	0.37	0.55
输送风机功率 Conveying Blower Capacity	KW	1.1	1.1	0.75	1.1	1.1	1.5
系统电源 Power Supply	V 380VAC 3P/PE 50HZ						
控制电源 Control Voltage	V 220VAC 1P/PE 50HZ						
总功率 Total Power	KW	6.53	6.65	8.3	12.1	16.57	26.25
电源线规格 Wires Specifications	mm2 4 x 4						
电源线长度 Wires Length	M 5						
露点 Dew point	℃ -40 CUI, F Below -40						
料管口径 Material Pipe Size	inch 1.5						
料斗(成型机上) Hopper Receiver	KG	75	80	85	118	156	358
机重 Weight	KG	SR3E-40	SR3E-40	SR6E-40	SR6E-40	SR12E-40	SR12E-40
选配 Option	1. 露点显示 Dew-point Indicators 2. 旋风分离器 Cyclone Separator 3. 高温 High Temperature (150℃~180℃)						

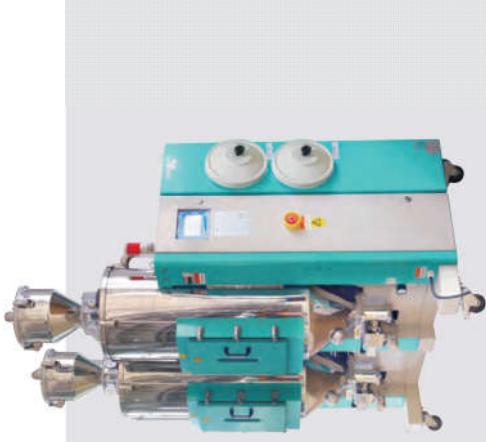
注：产品规格若有变更，恕不另行通知。We reserve right to change specifications without prior notice.

双桶式三机一体 Double hopper 3 in 1 compact dehumidifying dryer

**TDA
TDB**

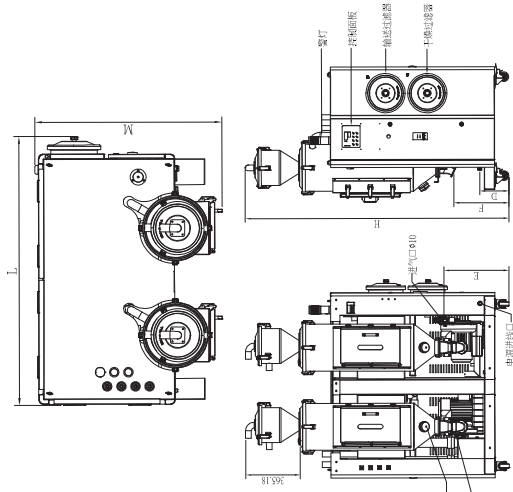
● 特点 Features

- 双桶式三机一体，可同时进行两种不同的原料，设定不同的温度。
- 具备三机一体所有功能
- 省能源、省空间。
- Double hopper 3 in 1 compact dehumidifying dryer.
- Has all function of 3 in 1 compact dehumidifying dryer.
- Saves energy, saves space.



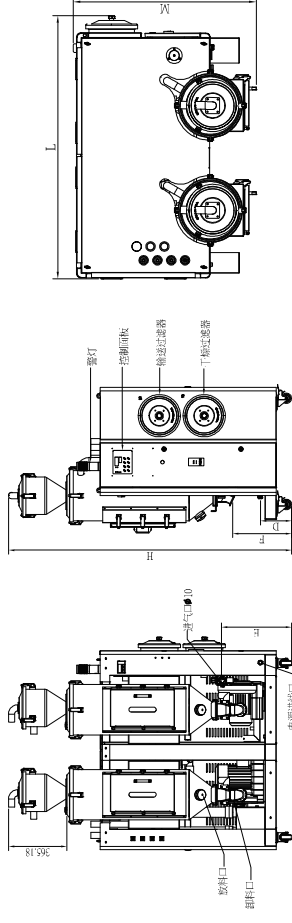
● TDA双桶式三机一体 TDA Double hopper 3 in 1 compact dehumidifying dryer

机型Model	TDA-15D	TDA-25D	TDA-50D	TDA-75D	TDA-100D
L(mm)	1385	1332	1332	1634	1635
M(mm)	980	927	956	1060	1060
H(mm)	1602	1744	2003	2087	2167
D(mm)	195.5	195.5	195.5	195.5	195.5
E(mm)	420	420	420	420	420
F(mm)	265	368	350	276	370



● TDB双桶式三机一体 TDB Double hopper 3 in 1 compact dehumidifying dryer

机型Model	TDB-25D	TDB-50D
L(mm)	1332	1332
M(mm)	956	956
H(mm)	1944	1999
D(mm)	195.5	195.5
E(mm)	420	420
F(mm)	350	350



● 规格表 Specification Sheet

产品型号Model	TDA-15D	TDA-25D	TDA-50D	TDA-75D	TDA-100D	TDB-23D	TDB-50D	
除湿种类 Dehumidifying type			节能型 Energy saving type			转轮型 Honeycomb rotor type		
风量 Dehumidifying air capacity	25 × 2	35 × 2	50 × 2	80 × 2	100 × 2	35 × 2	50 × 2	
露点 Dew point	℃	提供-40℃压缩空气 Supply -40℃ pressure air					-40℃	
干燥温度 Drying Temperature	℃	70-160℃						
冷却方式 Cool mode	A、自然温度 小于50度无需冷却水 B、机械冷却 大于50度需冷却水 The temperature difference between materials and air is less than 50 degrees and cooling water is not required.							
干燥电功率 Drying Heater Capacity	2 × 2	2 × 2	3 × 2	3 × 2	4 × 2	2 × 2	3 × 2	
干燥风机功率 Drying Blower Capacity	0.37	0.75/1.1	1.5	2.2	0.37		1.1	
再生电功率 Regen. Heater Capacity	NONE							
再生风机功率 Regen Motor Capacity	NONE							
输送风机功率 Conveying Blower Capacity	1.1			2.2		0.18	0.25	
系统电源 Power Supply	380VAC 3P/PE 50Hz							
控制电压 Control Voltage	220VAC 1P/PE 50Hz							
总功率 Total Power	KW	5.5	6	6.5	10	14.5	7.8	
电源线长度 Wires Specifications	mm2	4 × 2.5		4 × 4	4 × 6	4 × 4		
电源线长度 Wires Length	M	5						
料管口径 Material Pipe Size	inch	1.5						
料斗(成型机L) Hopper Receiver		SR3E-40		SR6E-40		SR3E-40		
机器重量 Weight	KG	50	55	60	80	120	130	
选配 Option		1.露点指示 Dew-point Indicators		2.旋风分离器 Cyclone Separator		3.高温 High Temperature(160℃-200℃), 4.中低温位		

注：产品规格若有变更，恕不另行通知。 We reserve right to change specifications without prior notice.