

油式模温机 Oil Type Mold Temperature Controllers

TTO

● 特点 Features

- 电控箱与机身隔离，隔热效果佳，电器使用寿命长。
- 模温机专用触摸屏控制器，控温更合理，省电35%以上。
- 安全保护及故障报警系统完善，维修方便无专业人员。
- 进口高级组件，使用寿命长。
- 升温速度快，温度精确稳定，可达±0.1℃。
- 独特的加热设计，适合不同场合使用，节能效果明显。
- 主管路采用304不锈钢一体成型，管径小，加热均匀，使用寿命长。
- 开机自动排气功能。
- 吹气回油功能。
- Electronic control panel and machine body are isolated to acquire good effects on heat insulation in order to extend the service life of electrical components.
- P.I.D multi-stage temperature control system can save power up to 35%, thanks to control temperature accurately & reasonably.
- Perfect safety protection and error indication display which are easymaintained and repaired ,even without professionals can do it.
- Imported hi-class parts with long service life.
- Rapid heating and cool down speeds lead temperature to be kept precisely and stably with accuracy up to ± 0.1.
- Unique heating design are suitable to different temperature control application with excellent & distinct power saving.
- 304 stainless steel integrated pipelines with less pipe resistance and even heating for long service life.
- Automatic air-exhausting function after startup.
- Air blowing and return oil function.



使用油为传热媒介，以间接冷却方式达到热交换，具有控温范围大，稳定性好等优点。标准型温度控制达200℃，高温型已达300℃。

Oil Type Mold Temperature Controllers use oil as heating media to superiorities with wide temperature controlled range and excellent heat stability. Standard heating temperature can reach at 200℃ while high temperature type can reach 300℃.

● 安全保护及指示系统 Safety Protecting and Indiction System

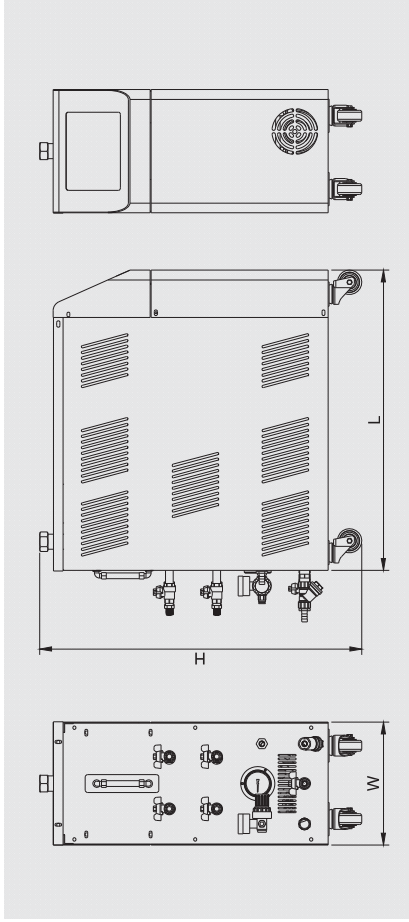
- 电源欠相保护
- Safely Protection and Indiction System
- 总电源无熔丝断路器
- Power lack-phase protection
- 泵反转保护及指示灯
- Non-lose circuit breaker for protecting power supply
- 泵过载保护及指示灯
- Pump reverse protection and indicating lamp
- 缺水保护及指示灯
- Water shortage protection and indicating lamp
- 过热保护及指示灯
- Overheat protection and indicating lamp
- 热油By-pass 压回路
- Hot oil by-pass pressure release loop
- 强制冷却
- Forced cooling
- 温度异常报警
- Abnormal temperature alarm
- 异常报警蜂鸣器
- Abnormal alarm buzzer
- 缺油保护及指示灯
- Oil shortage protection and indicating lamp

双温油式模温机
Dual-purpose oil type mold temperature controller

● 选择加装配件 Options

- 感温棒接到外部配线
- Thermocouplen for connecting external wiring
- 回油温度显示器
- Return oil temperature display
- 防漏电保护开关
- Leakage protection switch
- 电压异常保护开关
- Abnormal voltage protection switch
- 铁弗龙管
- Teflon hose

● 产品结构图 Product Structure Diagram



● 规格表 Specification Sheet

产品型号Model	TTO-2010B	TTO-2020B	TTO-2030B	TTO-2010DB	TTO-2020DB	TTO-2030DB
传热媒介 Heat Transfer Medium	导热油 Thermal conductive oil					
加热功率 Heater Power	9	12	12	9×2	12×2	12×2
冷却方式 Cooling Method	间接冷却 Indirect					
冷却水压要求 Min. Water Pressure	2~5					
冷却水配置 Cooling Water Pipe	φ12					
最高使用温度 Max. Working Temp	200	200	300	200	200	200
最低使用温度 Min. Working Temp	冷却水温度+20℃ water temperature +20℃					
温控精度 Temperature Control Accuracy	±0.1℃					
热水配管 Hot Water Pipe	4分镀锌PT3/8(4分-40)PT3/8					
冷却能力 Cooling Capacity	9000	9000	9000	9500	9500	18000
水泵功率 Pump Power	1	2	3	1	2	3×2
最大流量 max.flow/Pump Flow	60	85	280	25	100	71
最大压力 max.pressure	L	0.35	0.69	0.22	0.28	0.55
油箱容量 Oil Tank	M	7	11	23	18	21
系统电源 Power Supply	380VAC 3P/PE 50Hz					
机器总功率 Total Power	10	11	14.5	13	14	13
机器线规格 Wires Specifications	4×6					
机器线长度 Wires Length	5					
外测尺寸 (长×宽×高) Dimensions(L×W×H)	781×290×700	1000×330×785	1330×450×960	1328×410×980	1370×460×900	1270×350×900
机器重量 Weight	KG	60	70	100	155	155
				110	130	190

注：产品规格若有变更，恕不另行通知。 We reserve right to change specifications without prior notice.