

直接式吸料机 Single Autoloaders

TAL

● 特点 Features

- 采用全不锈钢材质结构，确保原料不受污染。
- 马达保护装置，可增长其使用寿命。
- 采用织布滤网配合不锈钢过滤粉尘，具有马达反转除尘功能。
- 采用不锈钢磨料挡板，不磨损不同原料和调整。
- 自动冲洗功能。
- 装配射式快开开关，适于直接安装成型机入料口；装配近接开关，适于直接安装成型机料斗上。
- 采用液阻料管静电容传感器设计，可精确依测原料输送。
- 缺料自动报警。
- 不锈钢型与感应型法兰插座与料斗采用卡箍设计，便于拆卸。

- Stainless steel construction for ensuring material free from contamination.
- Motor overload protection device ensures its long service life.

- The adoption of Cloth mesh filter and stainless screener for double filtration protection to filter dust and motor reverse cleaning function.
- Mechanical stainless flap is fitted which don't need to be adjusted according to different material.

- Auto - cleaning function.
- Autoloaders equip with photo sensors which are mounted onto the feeding port of injection molding machines; autoloaders equip with proximity switch which are mounted onto the hopper dryers.



● 容易维护/快速清洁 Easy Maintenance / Quick Cleanup

TAL系列吸料机主要用于将流动性强的新料（主料）或次料直接快速输送到注塑机上，可掀式的真空马达上盖能保证清洗快速维护简便。

单相真空马达在设定的吸料时间产生真空气流把塑胶颗粒通过吸料管输送到吸料斗内，之后原料直接落入到注塑机储料斗内，这种吸料动作将持续进行直到注塑机储料斗和吸料料斗门显示满料为止。

TAL series stainless steel (corrosion free) single hopper loader is designed to provide rapid transportation of free-flowing for virgin resin or regrind resin directly to injection molding machine. The design of hinged upper cover of vacuum motor ensures quick cleanup time and easy maintenance.

The single-phase vacuum suction motor creates a flow of air which carries the plastic granules into the hopper through the material conveying hose during setting suction time. The granules are then discharged directly into the processing machine hopper. This cycle is repeated until both the machine hopper and hopper loader are full.

● 稳定可靠的性能 Reliable Performance

吸料机的吸料时间、吸料动作以及吸料模式的选择均由软件显示都是通过微电脑处理器控制。具有故障自检与报警功能。所有型号的设备都是使用优质不锈钢材料，按照严格的工业标准制造，具有稳定可靠的性能。

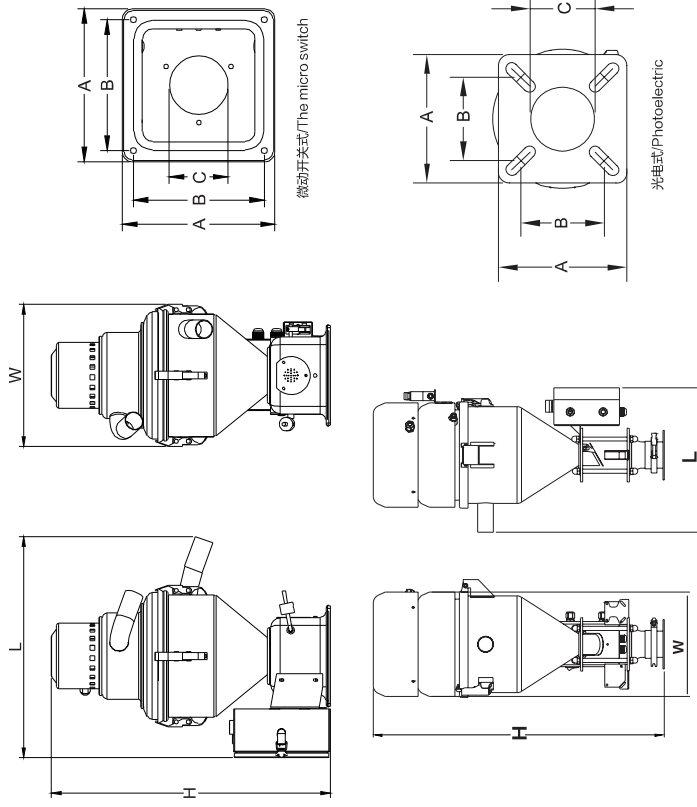
The setting and displaying for loading time, loading function, and mode selection digitally are controlled by microprocessor. Fault diagnosis & alarm are provided as standard features of the control. All models are built by the highest quality with stainless steel for providing consistent, reliable performance.

● 规格表 Specification Sheet

产品型号/Model	TAL-6E	TAL-6I	TAL-38E	TAL-6SE	TAL-3S	TAL-6S	TAL-12S
料斗容量 Hopper Capacity	L	6	6	6	3	6	12
输送能力 Conveying Capacity	kg/h	200	400	140	70	140	200
风机功率 Blower Capacity	KW	1.4	0.75	1.4	1.4	1.4	1.4
感应类型 Sensor Type	#光电Photoelectric	#光电Photoelectric	#光电Photoelectric	#光电Photoelectric	#光电Photoelectric	#光电Photoelectric	#光电Photoelectric
系统电压 Power supply	V	220VAC 1P/1PE 50HZ	220VAC 1P/1PE 50HZ	220VAC 1P/1PE 50HZ	220VAC 1P/1PE 50HZ	220VAC 1P/1PE 50HZ	220VAC 1P/1PE 50HZ
料管口径 Hose Size	mm	38.1 (1.5")	38.1 (1.5")	38.1 (1.5")	38.1 (1.5")	38.1 (1.5")	38.1 (1.5")
过滤类型 Filter Type		不锈钢滤网布积存Filter Netting & Cloth Filter3	不锈钢滤网布积存Filter Netting & Cloth Filter3	不锈钢滤网布积存Filter Netting & Cloth Filter3	不锈钢滤网布积存Filter Netting & Cloth Filter3	不锈钢滤网布积存Filter Netting & Cloth Filter3	不锈钢滤网布积存Filter Netting & Cloth Filter3
总功率 Total Power	KW	1.45	0.88	1.45	1.45	1.45	1.45
L (mm)	443	443	443	443	443	443	443
W (mm)	303	303	303	303	303	303	303
H (mm)	773	773	773	773	773	773	773
A (mm)	0.15	0.15	0.15	0.15	0.15	0.15	0.15
B (mm)	0.1	0.1	0.1	0.1	0.1	0.1	0.1
C (mm)	0.056	0.056	0.056	0.056	0.056	0.056	0.056
标配件 Standard Accessories		吸料管Suction Tube+PVC输软管Hose	吸料管Suction Tube+PVC输软管Hose	吸料管Suction Tube+PVC输软管Hose	吸料管Suction Tube+PVC输软管Hose	吸料管Suction Tube+PVC输软管Hose	吸料管Suction Tube+PVC输软管Hose
机器重量 Weight	kg	17	19	28	13	15	16.5

注：产品规格若有变更，恕不另行通知。 We reserve right to change specifications without prior notice.

● 产品结构图 Product Structure Diagram



分离式吸料主机 Detachable Autoloaders

TAL

● 特点 Features

- 主机与料斗分离设计，安全简便，可满足客户的远距离的物料要求。
- 微电脑控制，操作简易，控制精确，有多项报警指示灯。
- 可根据不同需要搭配不同料斗，提供多样式选择。
- 缺料报警，可主动通知客户进库而排除状况。
- 马达保护装置，可增长使用寿命。
- 独立过滤器装置，方便清除积尘。
- 可以选配旋风过滤器，减少过滤器清洗次数，适用于粉粹料输送。

- 可选配两种比例阀，用于新料与粉粹料混合使用或粉粹料立即回收。

- The main controllers and material hopper receivers are designed separately for satisfying with customers' requirements on the long distance conveying material.

- Microprocessor controls features with easy operation, accurate control and multiple alarm indicators.

- Various hopper receivers are available for selection to meet different requirements.

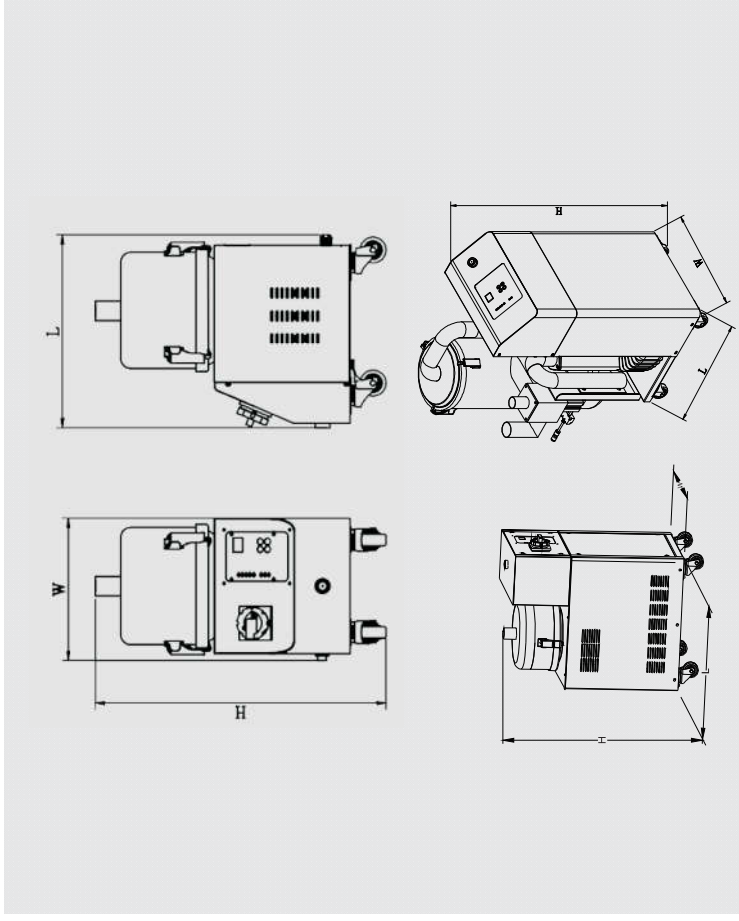
- Audible material shortage alarm for reminding customers in to solve faulty.

- Motor overheat protection device ensures its long service life.

- Independent filter device is easy for cleaning, cyclone dust separator is available as option to reduce cleaning filter time which is specially suitable for reground material conveying.

- Proportional valve is available as option which is used for mixing virgin and reground material and instant recycle reground material

● 产品结构图 Product Structure Diagram



● 规格表 Specification Sheet

产品型号 Model	TALA-700G 碳刷电机 Carbon Brush	TAL-810G 感应式 Induction	TAL-815G 感应式 Induction	TAL-820G 感应式 Induction	TAL-915G 感应式 Induction	TAL-930G 感应式 Induction
风机形式 Motor Type	碳刷式 Carbon Brush	感应式 Induction	感应式 Induction	感应式 Induction	感应式 Induction	感应式 Induction
风机功率 Motor Capacity	1.4	0.75	1.1	1.5	1.5	2.2
控制站数 Control Stations	1	1	1	1	2	2
输送能力 Conveying Ability	300	500	600	700	600	800
进风口径 Air Inlet Size	38 (1.5")					
过滤器类型 Filter Type	纸制滤芯 Paper Filter φ188 × φ115 × 145					
外观尺寸 Dimensions	L(mm) 0.38	0.54	0.54	0.54	0.66	0.66
	W(mm) 0.28	0.38	0.38	0.38	0.39	0.39
	H(mm) 0.575	0.69	0.69	0.69	0.81	0.81
系统电源 Power Supply	220VAC					
控制电源 Control Voltage	1P/PE 50Hz					
总功率 Total Power	380VAC 3P/PE 50Hz					
电源线规格 Wires Specifications	220VAC 1P/PE 50Hz					
电源线长度 Wires Length	3 × 1.5					
可盛料斗 Applicable Hopper Model	SR-3E SR-6E SR-12E MR-3 MR-6 MR-12					
机器重量 Weight	30	45	51	56	60	65

注：产品规格若有变更，恕不另行通知。 We reserve right to change specifications without prior notice.

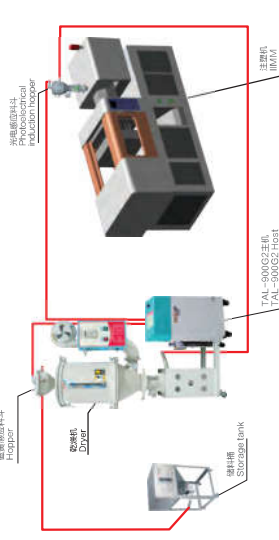


主机与料斗采用分离式设计，最多可搭配2个料斗，一对多输送，提高了原料输送能力，原料输送能力达每小时700公斤。最高行程可达10米，适用于长距离原料输送，操作容易，可满足客户的需求。

The main controllers and material hopper receivers are designed separately for safety & convenient purpose which can match 2 or above 2 hopper receivers to achieve one to multi combination conveying. It enhances material conveying capacities greatly up to 700kgs/hr. The maximum loading distance is 10m. All models are suitable for conveying materials over long distance and easy operations which are satisfied with customers' various requirements.

● 一对二吸料特点 One to Two Autoloaders Features

- 一机指两机，节省设备配置，节约空间。
- 电脑控制操作方便安装、调试。
- 尤其适用于干燥、供料二机一体，简化系统结构，提高使用效率，方便操作。
- 维修保养方便、快捷。
- One to two autoloaders can save equipment configuration and save space.
- Microcomputer control operation, easy installs & adjusts.
- Suitable for drying and feeding materials in one body, which can simple system structure, increasing productivity and convenient operate.
- Easy and fast to maintain.



开放式分离吸料主机 Detachable Autoloaders (Open type)

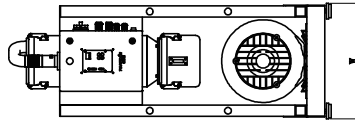
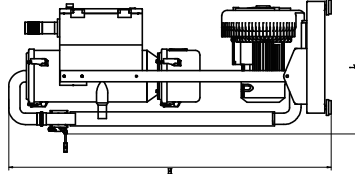
TAL

● 特点 Features

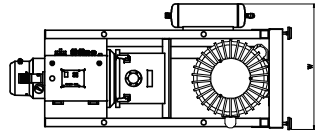
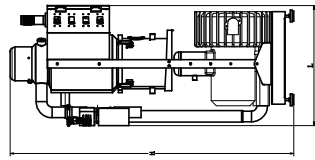
- 微处理器记忆体使用EEPROM，切断电源后设定的资料永久保存。
- 采用氧化风筒设计，不锈钢制造，不污染原料，美化大方。
- 采用下吸式设计，过滤器配备旋风分离器于分离集尘桶，可有效减轻过滤负荷。
- 分体式集尘桶，方便清除粉尘。
- 主机配备故障及马达过载指示灯，可及时报警。
- 可搭配不同型号吸料机，提供多样化选择。
- 吸料主机搭配单段或双段风机。
- Microprocessor use EPROM to back up data in case power failure and does not require back up battery.
- Machines are designed with exquisite appearance and are made of stainless steel to ensure no material contamination.
- It adapts down – suction design and use a cyclone dust separator and a dust collective bin together for reducing the load of filter effectively.
- Separated dust collective bin is easy for cleaning dust.
- To be equipped with warning lamp for alarming pump
- Overload and other malfunctions immediately.
- European plugs ensure reliable & safety operation.
- Various autoloaders are available for selection to meet different requirements.
- This series of autoloaders are equipped with single-stage blower.



● (单段)产品结构图 (Single Stage) Product Structure Diagram



● (双段)产品结构图 (Double Stage) Product Structure Diagram



● (单段)规格表 (Single Stage) Specification Sheet

产品型号/Model	TAL-3	TAL-3	TAL-3	TAL-3	TAL-3	TAL-4	TAL-4	TAL-4	TAL-4	TAL-5	TAL-5	TAL-5	TAL-5
	HP-2	HP2-2	HP4-2	HP6-1.5	HP2-2	HP2-2	HP4-2	HP4-2	HP6-2	HP2-2	HP4-2	HP4-2	HP6-2
风机形式 Motor Type	单段 Single Stage												
风机功率 Motor Capacity	KW	2.2	2.2	2.2	3	3	3	3	3	4	4	4	4
进风口直径 Air Inlet Size	mm	50.8(2.0") 38(1.5")											
控制站数 Control Stations	站	1	2	4	6	1	2	4	6	1	2	4	6
输送能力 Conveying Ability	kg/h	750 830 900											
外形尺寸 Dimensions	L(m)	0.54	0.56	0.69	0.69	0.54	0.69	0.69	0.69	0.69	0.69	0.69	0.69
	W(m)	0.52	0.52	0.52	0.52	0.52	0.52	0.52	0.52	0.52	0.52	0.52	0.52
	H(m)	1.45	1.45	1.45	1.45	1.45	1.45	1.45	1.45	1.45	1.45	1.45	1.45
系统电源 Power Supply	V	380VAC 3P/PE 50HZ											
控制电源 Control Voltage	V	220VAC 1P/PE 50HZ											
总功率 Total Power	KW	2.3	2.3	2.3	3.1	3.1	3.1	3.1	3.1	4.1	4.1	4.1	4.1
电源线规格 Wires Specifications	mm2	4 x 2.5											
电源线长度 Wires Length	m	5											
过滤类型 Filter Type	纸制滤芯												
中央集尘桶 Centralized Dust Collector	25 部分机型带泄压功能												
标准功能 Standard Functions	集尘功能Dust Collection Functions 消音功能Silencing Functions												
机器重量 Weight	kg	130	130	130	144	144	144	144	144	148	148	148	148
可选料斗 Applicable Hopper Model	SR-3E SR-6E SR-12E MR-3 MR-6 MR-12 MR-24 CSR-3E CSR-6E CSR-12E CMR-3 CMR-6 CMR-12 CMR-24 CMR-48												

● (双段)规格表 (Double Stage) Specification Sheet

产品型号/Model	TAL-8	TAL-8	TAL-8	TAL-8	TAL-8	TAL-8	TAL-8	TAL-8	TAL-8	TAL-8	TAL-8	TAL-8	TAL-8
	HP-2	HP2-2	HP2-2	HP4-2	HP4-2	HP4-2	HP4-2	HP4-2	HP4-2	HP4-2	HP4-2	HP4-2	HP6-2
风机形式 Motor Type	双段 Double-stage												
风机功率 Motor Capacity	KW	5.5	5.5	5.5	5.5	5.5	5.5	5.5	5.5	7.5	7.5	7.5	7.5
进风口直径 Air Inlet Size	mm	50.8 (2.0")	50.8 (2.0")	50.8 (2.0")	50.8 (2.0")	50.8 (2.0")	50.8 (2.0")	50.8 (2.0")	50.8 (2.0")	63.5 (2.5")	63.5 (2.5")	63.5 (2.5")	63.5 (2.5")
控制站数 Control Stations	站	1	2	2	4	4	6	6	1	1	2	2	4
输送能力 Conveying Ability	kg/h	1500 1800 2000 2500											
外形尺寸 Dimensions	L(m)	0.74	0.74	0.74	0.74	0.74	0.74	0.74	0.74	0.74	0.74	0.74	0.74
	W(m)	0.74	0.74	0.74	0.74	0.74	0.74	0.74	0.74	0.74	0.74	0.74	0.74
	H(m)	1.69	1.69	1.69	1.69	1.69	1.69	1.69	1.69	1.69	1.69	1.69	1.69
系统电源 Power Supply	V	380VAC 3P/PE 50HZ											
控制电源 Control Voltage	V	220VAC 1P/PE 50HZ											
总功率 Total Power	KW	5.6	5.6	5.6	5.6	5.6	5.6	5.6	5.6	7.6	7.6	7.6	7.6
电源线规格 Wires Specifications	mm2	4 x 4											
电源线长度 Wires Length	m	5											
过滤类型 Filter Type	布袋过滤 Cloth Filter												
中央集尘桶 Centralized Dust Collector	50												
标准功能 Standard Functions	释压功能Pressure Relieve Functions 除尘功能Spray Cleaning Functions 集尘功能Dust Collection Functions 消音功能Silencing Function												
机器重量 Weight	kg	176	176	176	176	176	176	176	176	185	185	185	185
可选料斗 Applicable Hopper Model	SR-3E SR-6E SR-12E MR-3 MR-6 MR-12 MR-24 CSR-6E CSR-12E CMR-3 CMR-6 CMR-12 CMR-24 CMR-48												

注：产品规格若有变更，恕不另行通知。 We reserve right to change specifications without prior notice.

料杯 Hopper Receivers

● 特点 Features

- ER/FSR系列接料部分采用不锈钢材质结构，确保原料不受污染，用以避免原料污染。
- 采用不锈钢料杯，不磨损且便于清洗。
- FSR/SR/CSR系列法兰底座与料斗之均采用卡盖设计，便于拆卸。
- CSR系列采用分离筒，几台中央式吸料机共用一台马达使用中央供料系统。
- FSR系列针对光学级产品，减少粉尘对产品影响，提升产品质量。
- 标准式吸料机配有光电传感器，可精确检测原料输送。
- 污染型吸料机，可以及时清除粉尘。

- Stainless steel construction used by ER/FSR series for ensuring material free and for all structural by SR/CSR/FSR series from contamination that working with detachable auto loaders.

- Mechanical stainless flap fitting on ER/SR/CSR series that need not to be adjusted according to different material.

- With hopper receivers and bases are locked by hinge, FSR/SR/CSR series is easy for dismantle.
- A diaphragm valve fitting on CSR series if several central hopper receivers want to share same blower for centralized feeding system.

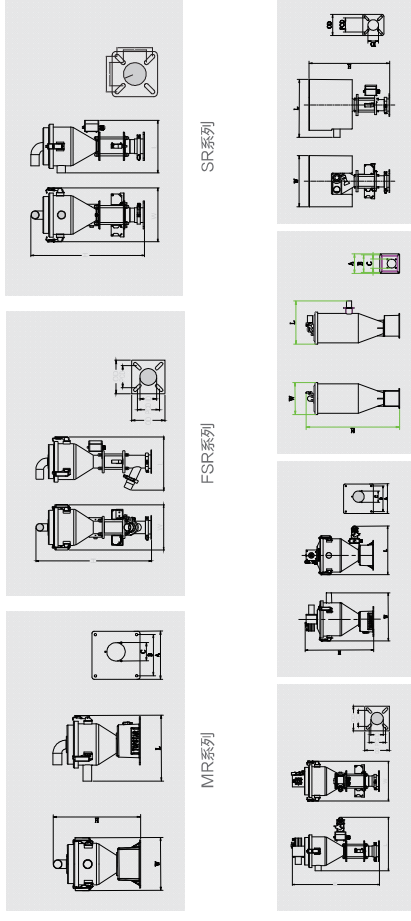
- FSR series is particularly designed for optic product use for reducing powder to cause any defects for enhancing productivity qualities.

- Auto loaders equip with photo sensors which are mounted onto the feeding part of injection molding machines; auto loaders equip with proximity switch which are mounted onto the hopper dryers.

- To adopt glass tube with photo sensor (static capacity detection) for precisely detect material conveying.

- To be fitted with stainless screener for easy filtering dust.

● 产品结构图 Product Structure Diagram



● 规格表 Specification Sheet

产品型号 Model	MR 3	MR 6	MR 12	CMR 3	CMR 6	CMR 12	CMR 24	CMR 48	PSR 6	PSR 20	PSR 1	PSR 0.2	PSR 1	PSR 3	PSR 6	PSR 12	PSR 24	PSR 3	PSR 6	PSR 12	PSR 24	PSR 3	PSR 6	PSR 12	PSR 24		
料斗容量 Oppor Capacity	L	3	6	12	3	6	12	24	48	6	20	1	0.2	1	3	6	12	24	3	6	12	24	3	6	12	24	
输送能力 Conveying Ability	kg/h	70	140	200	70	140	200	320	500	140	250	30	10	30	70	140	200	320	70	140	200	320	70	140	200	320	
传感器类型 Sensor Type	磁感应 Magnetic induction																										
料斗口径 Hose Size	mm φ 38.1 (φ 50.8) φ 50.8 (φ 63.5) φ 38.1 (φ 50.8)																										
过滤类型 Filter Type	金属网 Metal mesh (30/4/1.2/1.2/φ 2 × 2) 筛网 Sleeve 7/0 μ m																										
外形尺寸 Dimensions	L (m)	0.286	0.34	0.425	0.345	0.376	0.408	0.468	0.393	0.488	0.526	0.29	0.137	0.168	0.218	0.259	0.382	0.382	0.205	0.259	0.382	0.382	0.205	0.259	0.382	0.382	
	W (m)	0.23	0.276	0.331	0.229	0.276	0.331	0.325	0.406	0.325	0.36	0.29	0.175	0.169	0.289	0.316	0.316	0.385	0.385	0.382	0.388	0.382	0.388	0.382	0.388	0.457	0.445
	H (m)	0.437	0.515	0.62	0.45	0.531	0.534	0.754	0.89	0.911	1.167	0.459	0.285	0.305	0.512	0.582	0.629	0.844	0.668	0.844	0.668	0.668	0.668	0.668	0.668	0.879	0.879
	A (m)	0.21																									
	B (m)	0.18																									
	C (m)	0.092																									
料斗重量 Weight	KG	6	7	8	6.5	7.5	8.5	9	10	6.5	7.5	5	4.5	5	6	7	8	9	6.5	7.5	8.5	8.5	7.5	8.5	8.5	9.5	

注：产品规格若有变更，恕不另行通知。 We reserve right to change specifications without prior notice.